

## The most advanced PLC I/O wiring system of its type

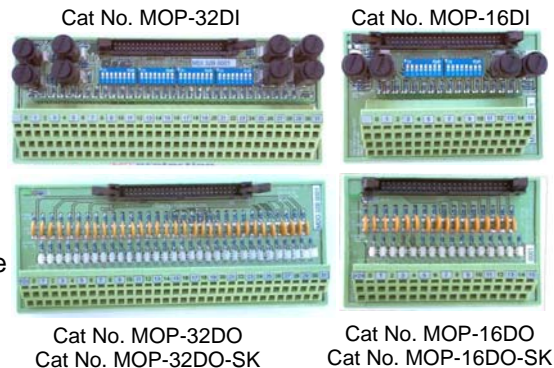
TCS is proud to present its new and upgraded generation of fuse blocks that offer more benefits than ever before, while not losing any of the existing features. The **MOP<sup>TM</sup> protection** range has a module and cable solution for all major PLC types and provides fused protection to reduce exposure from component failure that could cripple an automated plant.

### Major Features of MOP<sup>TM</sup> protection

- Markedly reduces PLC panel assembly time
- Factory assembled and tested wiring looms
- Panel cable numbering no longer required
- DIN rail mounted chassis. To all standards (European equivalent – EN50 022,35,45)
- Spring Cage Connectors. Fast efficient field connection with constant cable tension
- Standardised cabling system for all I/O module types
- One cable fits all for ControlLogix and Honeywell Plantscape
- Intuitive field termination numbering system – alternate number shading for alignment
- Power on LED indication
- Multi-tier terminal blocks for minimal panel space requirement
- Analogue modules with in-circuit current testing
- Digital input modules with dip switch isolation features
- Simplified ordering / catalogue numbers

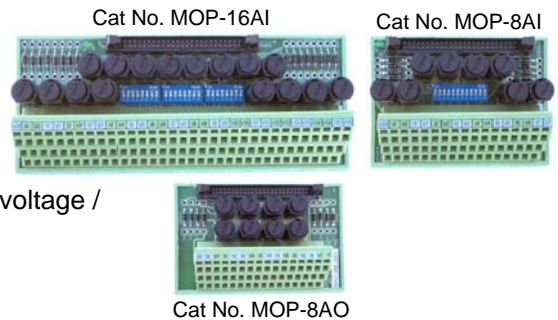
### Digital Fused Modules

- 16 & 32 way 24VDC input and output modules
- Individually, electronically fused digital outputs
- Sectionalised fused inputs
- Individual dip switch isolation for digital inputs
- Input & output LED status indication
- Input (sectionalised) & output (individual) blown fuse indication
- Power on indication
- Sinking (SK) or Sourcing output modules



### Analogue Fused Modules

- 8 & 16 way input modules
- 8 way output module
- In-circuit current testing
- Analogue input channels are dip switch selectable: voltage / current / single-ended / differential
- Individually fused inputs & outputs
- Ground plane for greater EMI and RFI screening



## Relay Modules

- 32 & 16 way relay output modules
- 16 way relay input module
- Normally open clean contact for output (0 to 260VAC-VDC)
- Individual outputs up to 5 Amps. Total section loading not exceeding 20 Amps
- 230VAC relay input to 24VDC PLC module
- Input & Output LED status indication
- Sinking (SK) or Sourcing output modules
- Fused 16 way relay output module (Each output Fused)
- 16 Isolated outputs(with clean contact ie : no common earth between any output)



Cat No. MOP-16RI



Cat No. MOP-32RO  
Cat No. MOP-32RO-SK



Cat No. MOP-16RO -CC



Cat No. MOP-16RO-FS

## Straight through Modules

- 20 & 36 way modules (anaolgue, digital, other)
- Minimal PLC panel assembly time
- Common module fuse connection
- Power on and blown fuse indication
- Common module for input and output
- 2 or 3 tier spring cage connectors



Cat No. MOP-36ST



Cat No. MOP-20ST

## Cables

- ControlLogix and Honeywell Plantscape  
Common cable for input/output and digital / analogue modules  
To order, need only state 20 or 36 way connector and cable length (in metres)  
Standard lengths are 1.0m, 2.0m, 3.0m or custom lengths can be ordered.
- Other PLC types (OMRON, SIEMENS, AB, Modicon etc) to order, need to state PLC type, module type, and cable length.
- 16 way Flex/Rail digital input or output comb headers

Cat No. MOP-C20-t-x.x  
Cat No. MOP-C36-t-x.x

Cat No. MOP-C-t-m-x.x



t denotes PLC type  
x.x denotes cable length



t denotes PLC type  
m denotes PLC module type  
x.x denotes cable length  
(in metres)

## Accessories

- Combiner modules  
32 way PLC input or output module to 2 x 16 way fused input or output modules. (ie. 24VDC input and 230VAC input)
- Combiner module cables (2 per combiner module).  
50 way IDC to 50 way IDC.
- Field wire terminal connectors for all major PLC types
- PLC terminal connectors can be free issued or supplied by TCS. Competitive pricing, saving in freight and time.



Cat No. MOP-16DI-COMB  
Cat No. MOP-16DO-COMB



Cat No. MOP-16-32DI  
Cat No. MOP-16-32DO

TCS will continue to support existing VBLK modules. However, TCS recommends **MOprotection** all new installations due to the advanced features and benefits **MOprotection** provides.

**technology | concepts | solutions**

### TCS [NZ] Ltd

34 The Boulevard , Te Rapa, Hamilton 3200  
PO Box 20489. Hamilton 3241. New Zealand

P +64 7 849 7729  
F + 64 7 849 2548

E sales@tcs-nz.co.nz  
W www.tcs-nz.com